

SGDL-809L/C70MB SMART LOCK

With Card and Password Access



- RFID Card
- Password
- Automatic Lock / Relock
- Scramble Code
- Intergrated With Fire Sensor
- Anti Hacking Emergency Alarm System
- Adjustable Volume Level
- High Voltage Protection Circuit
- External Emergency Battery Terminal (9V)
- Easy To Use Even At Night
- Back Lock Thumbturn / Button
- Anti-Panic Handle
- Emergency Key
- 2 Years Warranty
- Made In Korea

Accessories



RFID STICKER



RFID CARD



RFID KEYTAG

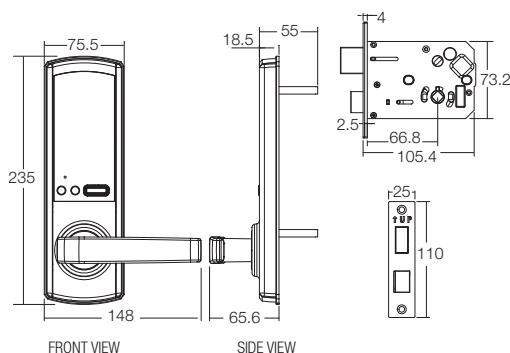


EMERGENCY KEY

SGDL-809L/C70MB

Smart Lock with Card and Password Access

Measurement



Specifications

Door Thickness		35-50mm
Finishing of Product		Matt Black
Power Supply	Voltage DC 6V	LR6 1.5V AA Size alkaline Battery 4pcs
	Emergency battery DC 9V	Alkaline Battery (Sold Separately)
Pin Number		3-19 digit
Authentication	No. of pin registration	1
	No. of RFID card registration	50
	No. of mechanical key combination	1
Heat Sensor	Temperature sensor level	60° ± 10°
Material	Front body	Al, Zn, ABS, Pc
	In body	Al, Zn, ABS
Included Accessories	RFID card	2pcs
	RFID sticker	2pcs
	RFID key tag	2pcs
	Emergency Key	3pcs
	1.5V AA Size alkaline battery	4pcs

*All the measurements are in millimeter (mm)